

Technical Bulletin

Bulletin Number: 362 Revision Number: R-05

Release Date: June 16, 1988 Revision Date: June 5, 2000

SUBJECT: PATCH PLATES FOR COCA-COLA LANDSCAPE VENDERS

MODELS AFFECTED: All Coca-Cola Landscape Venders

REASON: A. To provide patch plates to cover and reinforce areas subject to vandalism.
B. To provide a kit to convert the Non-VRV coin insert area to VRV.

SERIAL BREAK: A. All Coca-Cola Landscape Venders Serialized 0001-2949DK and Up.
B. Non-VRV Coca-Cola Landscape Venders Serialized 0001-2949DK to 0001-6123BR.

INDEX

Patch Plate For Control Panel Area..... Page 2

Patch Plate For Coin Return Cup Area.....Pages 3 & 4

POS Window Filler Plate, Weld Assembly Page 4

Patch Plate For Top Of Door Page 5

Landscape VRV Coin Insert Area Retrofit Kit..... Page 6

ORDER QUANTITIES SHOWN		NUMBER OF SELECTIONS PER VENDER				
PART NUMBER	DESCRIPTION	5 Select	6 Select	7 Select	8 Select	9 Select
000,005,69x.x6	Patch Plate	1	0	0	0	0
000,005,70x.x6	Patch Plate	0	1	0	0	0
000,005,71x.x6	Patch Plate	0	0	1	0	0
000,005,72x.x6	Patch Plate	0	0	0	1	0
000,005,73x.x6	Patch Plate	0	0	0	0	1
901,001,14x.x1	7/8" Press Stud	10	12	12	12	14
900,201,45x.x1	1/4-20x1/2 Carriage Bolt	7	7	7	7	7
900,800,67x.x1	1/4-20 Keps Nut	7	7	7	7	7
900,800,50x.x1	#8-32 Keps Nut	10	12	12	12	14

PATCH PLATE INSTALLATION

1. Due to the extent and variation of vandalism the application of the patch plate will be controlled largely by the person making the repair.
2. Remove the coin insert, point-of-sale window, and select panel assembly.
3. Ready the vandalized area to install the patch plate (i.e. straighten or cut away damaged areas).
4. Place the patch plate in position on the outside of the control panel.
5. Use the patch plate as a template and drill seven (7) 1/4" diameter holes in the control panel: five in the side of the control panel and two in the bottom front of the control panel.
6. Secure the patch plate with 1/4"-20x1/2 carriage bolts and nuts.

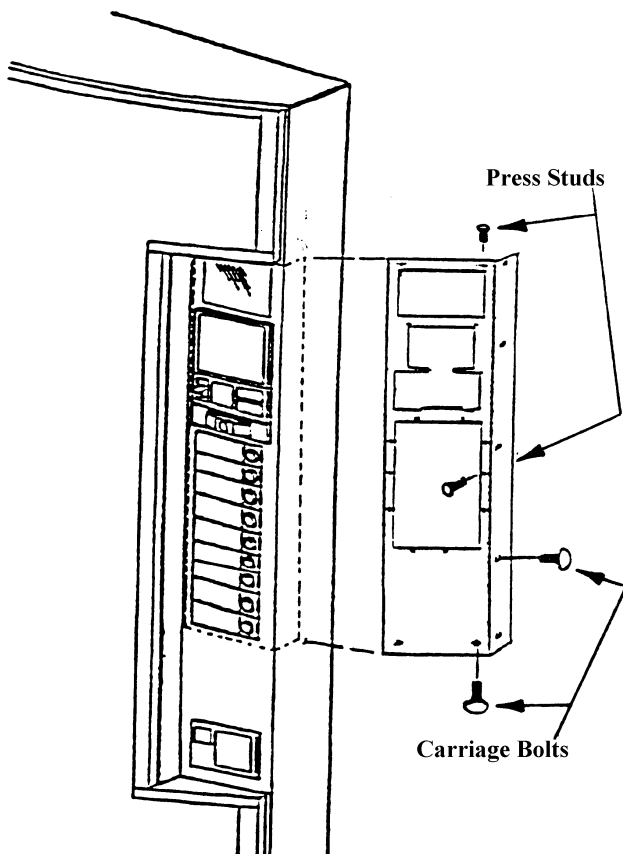


Figure 1

PATCH PLATE COIN RETURN CUP AREA

PART NUMBER	DESCRIPTION	QTY.
491,010,32x.x3	Patch Plate, Coin Return Cup	1
900,800,50x.x1	Keps Nut, #8-32	4
901,001,14x.x1	Press Stud, #8-32x7/8"	4
900,201,45x.x1	Carriage Bolt, 1/4-20x1/2"	12
900,800,67x.x1	Keps Nut, 1/4-20	12

PATCH PLATE INSTALLATION

1. Remove the coin return cup (if still remaining).
2. For the patch plate to fit and function properly, material must be removed from the top area of the coin return cup opening in the control panel. A minimum of 3/8" along the top across the full width of the opening must be removed. Depending on the vandalism, additional material may have to be removed.
3. Place the patch plate in position on the outside of the control panel and install the coin return cup. If necessary use the #8-32 press studs to replace missing or damaged studs.
4. Use the patch plate as a template and drill twelve (12) 1/4" diameter holes into the control panel: three in the trim channel, six in the front of the control panel, and three in the side of the control panel.
5. Secure the patch plate with twelve (12) 1/4-20x1/2" carriage bolts and keps nuts.

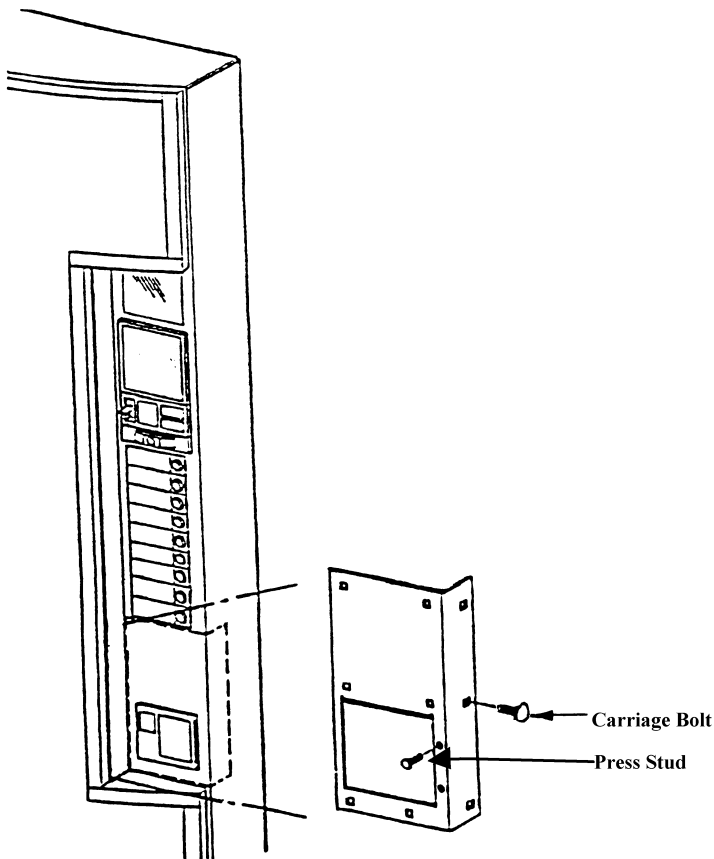


Figure 2

PATCH PLATE COIN RETURN CUP AREA

PART NUMBER	DESCRIPTION	QTY.
000,005,99x.x6	Opener Bezel Protective Plate	1
900,201,45x.x1	Carriage Bolt, 1/4-20x1/2"	6
900,800,67x.x1	Keps Nut, 1/4-20	6

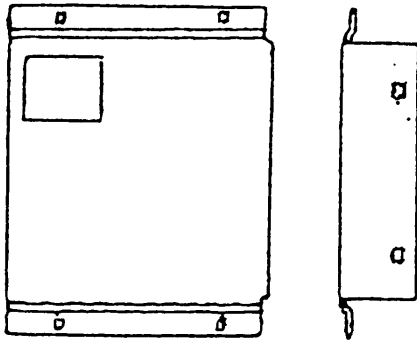


Figure 3

1. Place the plate in position on the outside of the control panel and over the coin return cup bezel.
2. Use the plate as a template and drill six 1/4" diameter holes in the control panel.
3. Secure the plate in position with six 1/4-20x1/2 carriage bolts and keps nuts.

POS WINDOW FILLER PLATE (NOT PAINTED) 432,017,70x.x3

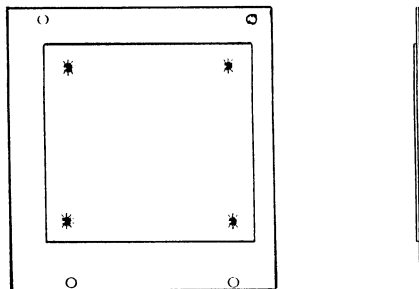


Figure 4

1. Remove existing POS window, POS window retainer, and POS window gasket. Keep the four keps nuts for use when installing new plate.
2. Install POS window gasket on weld assembly POS window filler plate.
3. Install weld assembly POS window filler plate in main door and secure with four keps nuts removed in step 1.

TOP PATCH PLATE

For 37" Wide Venders Order:

1 - 000,005,76x.x6	Top Patch Plate (wide) or
000,012,52x.x6	Top Patch Plate (wide – doesn't cover hinge hole)
6 - 900,201,45x.x1	Carriage Bolt, 1/4" - 20 x 1/2"
6 - 900,800,67x.x1	Nuts, 1/4" - 20

For Narrow Venders Order:

1 - 000,005,86x.x6	Top Frame Fix (narrow) or
000,012,51x.x5	Top Patch Plate (narrow – doesn't cover hinge hole)
6 - 900,201,45x.x1	Carriage Bolt, 1/4" - 20 x 1/2"
6 - 900,800,67x.x1	Nuts, 1/4" - 20

PATCH PLATE INSTALLATION

1. Leaving enough space to secure patch, cut away damaged area of door.
2. It will be necessary to cut or drill a hole in the patch for the top hinge stud.
3. Place the patch in position over the damage area.
4. With the patch in place, drill six (6) 1/4" diameter holes down into the patch plate and door, i.e., three (3) across the back.
5. Secure the patch with six (6) carriage bolts and nuts.

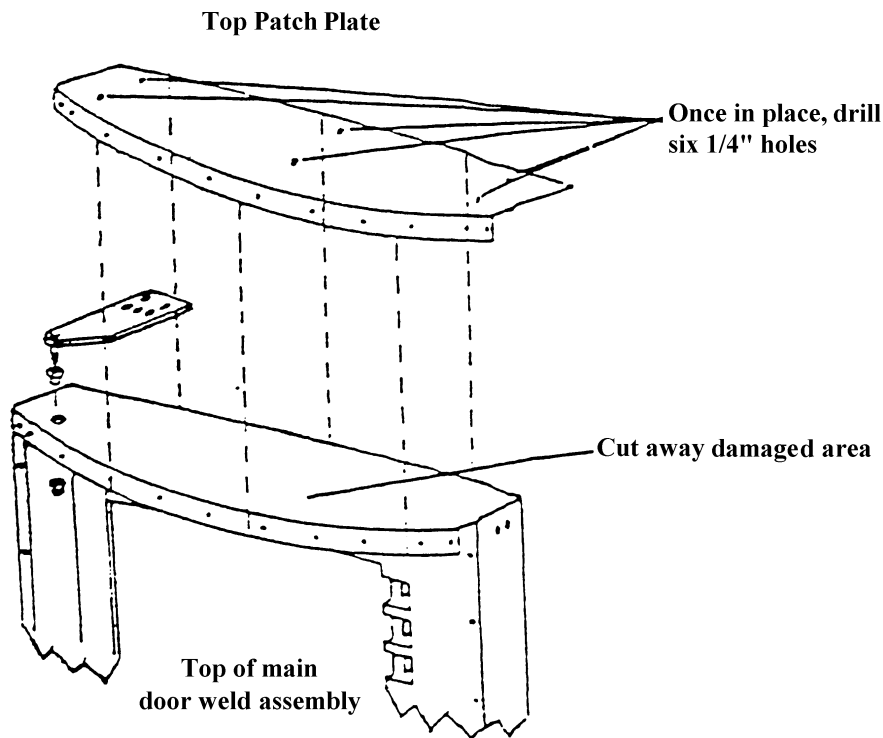


Figure 5

COKE VRV COIN INSERT RETROFIT KITS

Purpose: To provide a kit to convert the coin insert area of Coke Non-VRV Venders to VRV style.

Order: 572,011,80x.x4 Retrofit Coin Insert Kit - CC VRV SIID

Kit includes:	1 - 572,052,10x.x3	Sub Assy., Coin Return VRV SII
	1 - 801,807,22x.x1	Coin Insert Mounting Geometry - CC SII
	1 - 572,050,14x.x3	Clamp, Coin Insert Mounting Geometry
	1 - 572,050,10x.x3	Assy., Stud Coin Insert - CC VRV SII
	1 - 803,835,08x.x1	Labels, Coin Insert - CC VRV SII
	1 - 572,010,15x.x3	Template, Coin Insert - CC VRV
	1 - 432,050,47x.x3	Retainer, Door POS Window - CC

Order: 572,011,90x.x4 Retrofit Coin Insert Kit - CC VRV Non SIID

Kit includes:	1 - 572,050,60x.x3	Sub Assy., Return VRV Non SII
	1 - 801,807,20x.x1	Coin Insert Mounting Geometry - CC Non SII
	1 - 572,050,14x.x3	Clamp, Coin Insert Mounting Geometry
	1 - 572,050,00x.x3	Assy., Stud Coin Insert - CC VRV Non SII
	1 - 803,835,07x.x1	Label, Coin Insert - CC VRV Non SII
	1 - 572,010,15x.x3	Template, Coin Insert - CC SII
	1 - 432,050,47x.x3	Retainer, Door POS Window CC

RETROFIT KIT PREPARATION

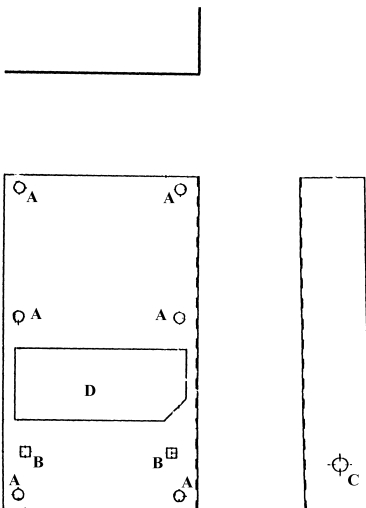


Figure 6

1. Remove existing coin insert assy., T-handle assy., and associated parts.
2. Remove carriage bolt from side of door that is used for lockcover mounting.
3. Place template over coin insert area using the square holes (B) to secure the template in position at the square holes in the door that secure the T-handle.
4. Drill 5/16" holes at all positions marked "A". See figure 6.
5. Scribe or mark the hole "D" shown in figure 6.
6. Scribe or mark the hole "C" shown in figure 6.
7. Drill or cut hole marked in step 6. Hole is 3/8"x7/16" long.
8. Cut out hole marked in step 5.